

Ersatzteilkatalog

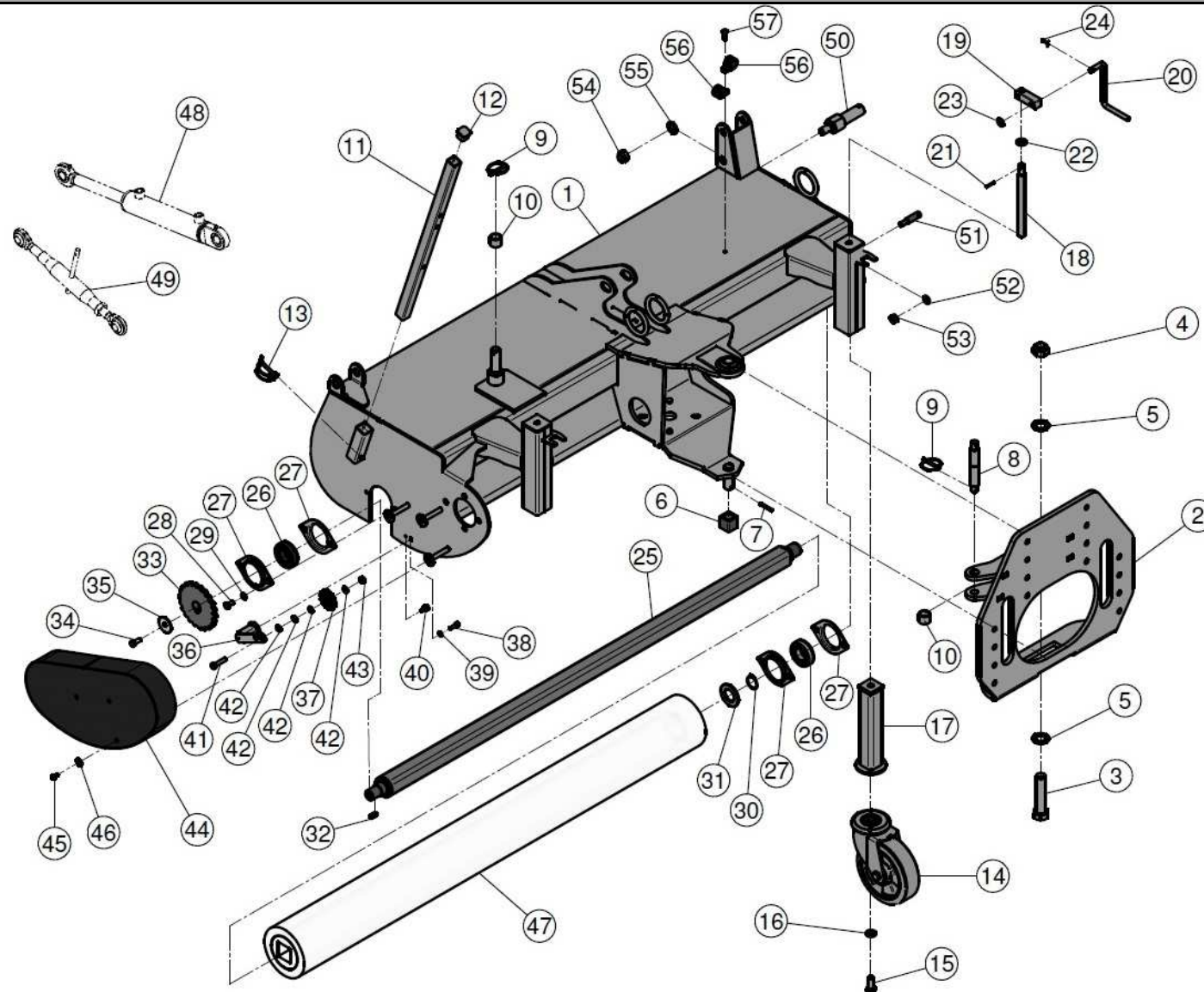
spare parts catalogue

ECO – Kehrmaschine

ECO - sweeper

SGK130 / SGK150

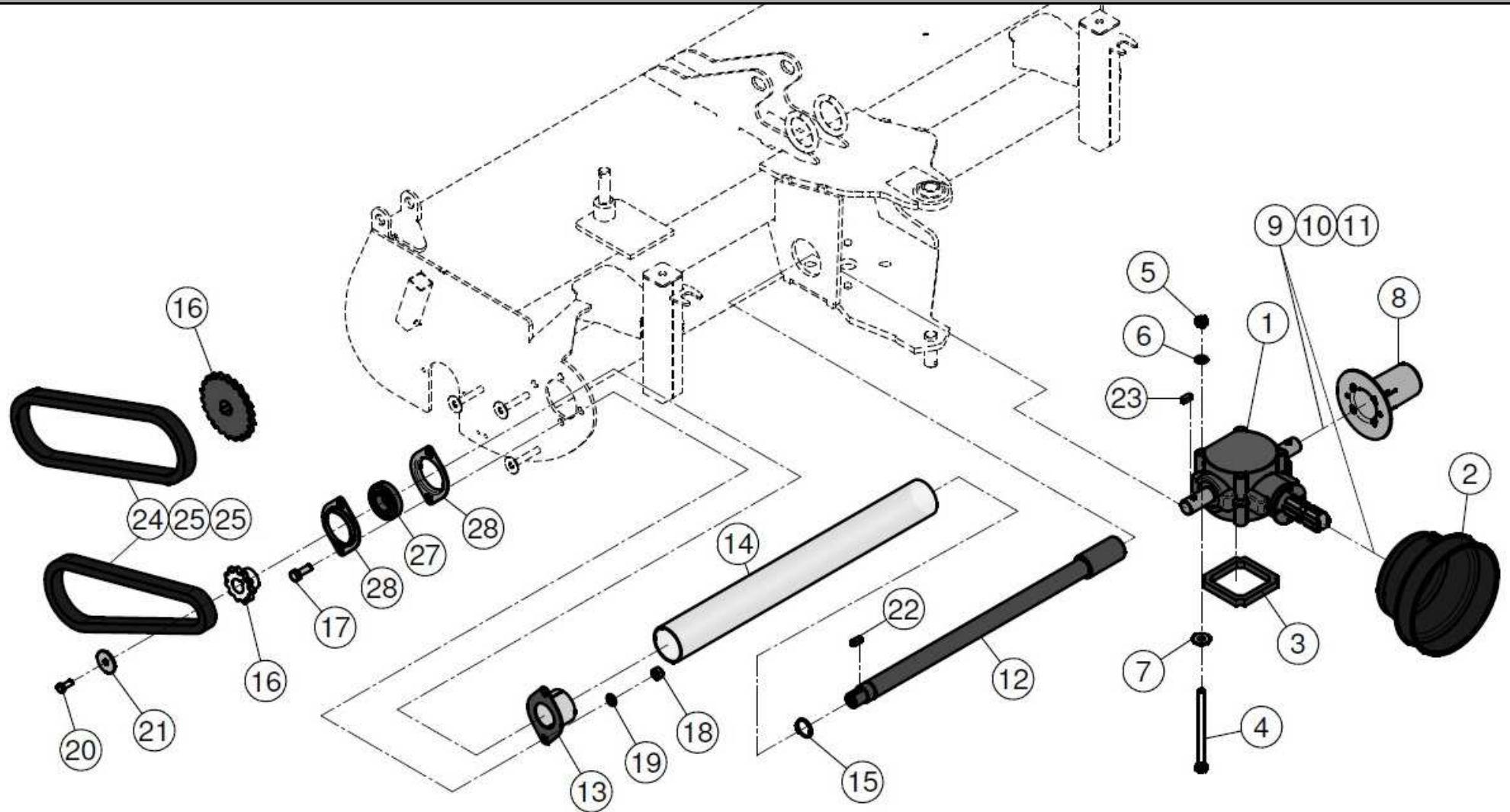
Grundmaschine



| Pos.Nr.: | Artikelnr.: | Bezeichnung: | Name: | EC |
|----------|------------------|--------------------------------|-------------------------------|----|
| 1a | 00SGK130-0001 | Rahmen (SGK130) | frame (SGK130) | 1 |
| 1b | 00SGK150-0001 | Rahmen (SGK150) | frame (SGK150) | 1 |
| 2 | 00SGK130-0002 | Adapterplatte | adapter plate | 1 |
| 3 | 9S-22/100 | Schraube | screw | 1 |
| 4 | 9MS-22 | Mutter | nut | 1 |
| 5 | 9B-22 | Scheibe | washer | 2 |
| 6 | 00SGK130-0003 | Führungsanschlag | level stop | 1 |
| 7 | 9SHS-6/36 | Spannhülse | clamping sleeve | 1 |
| 8 | 00SK130-0024 | Absteckbolzen | pin | 1 |
| 9 | 9KS-4.5 | Klappstecker | linch pin | 2 |
| 10 | 00SGK130-0005 | Buchse | bush | 2 |
| 11 | 00SK130-0013-001 | Stützfuß | upright | 2 |
| 12 | 10VS-25/25 | Formrohrstopfen | plastic plug | 2 |
| 13 | 9KSR-6 | Rohrklappstecker | tube linch pin | 2 |
| 14 | 6A-160-001 | Rolle | wheel | 2 |
| 15 | 9S-12/30 | Schraube | screw | 2 |
| 16 | 9B-12 | Scheibe | washer | 2 |
| 17 | 00SGK130-0014 | Spindel | spindle | 2 |
| 18 | 00SGK130-0015 | Spindelwelle | spindle shaft | 2 |
| 19 | 00SGK130-0016 | Spindelblock | spindle bloc | 2 |
| 20 | 00SGK130-0017 | Kurbel | winder | 2 |
| 21 | 9SHS-4/26 | Spannhülse | clamping sleeve | 2 |
| 22 | 9B-12 | Scheibe | washer | 4 |
| 23 | 9B-10 | Scheibe | washer | 2 |
| 24 | 9SP-4/32 | Splint | split-pin | 2 |
| 25a | 00SGK130-0004 | Bürstenwelle (SGK130) | shaft brush (SGK130) | 1 |
| 25b | 00SGK150-0004 | Bürstenwelle (SGK150) | shaft brush (SGK150) | 1 |
| 26 | 6L-206-NPP-B | Lager | bearing | 2 |
| 27 | 6LGS-FLANMST62 | Lagergehäuse | housing bearing | 4 |
| 28 | 9S-8/16 | Schraube | screw | 4 |
| 29 | 9B-8 | Scheibe | washer | 4 |
| 30 | 9SRW-30/1.5 | Sicherungsring | circlip | 1 |
| 31 | 9B-30 | Scheibe | washer | 1 |
| 32 | 9PF-8/7/20 | Passfeder | feather key | 1 |
| 33 | 00SGK130-0011 | Kettenrad | sprocket | 1 |
| 34 | 9S-8/20 | Schraube | screw | 1 |
| 35 | 9B-8/40/2 | Scheibe | washer | 1 |
| 36 | 6SP-0002 | Kettenspanner | tension jack | 1 |

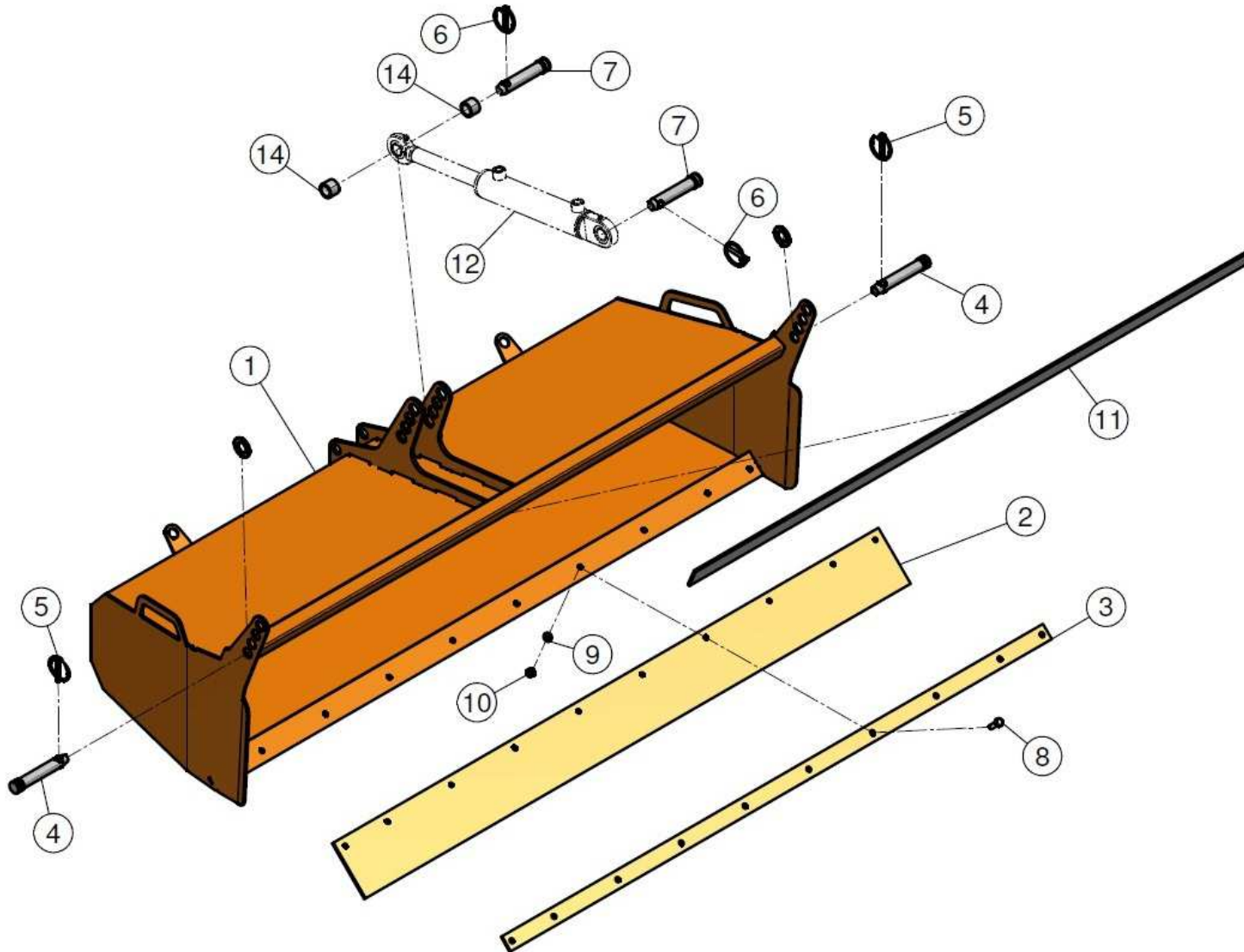
| Pos.Nr.: | Artikelnr.: | Bezeichnung: | Name: | EC |
|----------|---------------|---------------------------------|----------------------------|----|
| 37 | 6SP-0003 | Kettenrad Kettenspanner | chain adjust wheel | 1 |
| 38 | 9S-6/20 | Schraube | screw | 1 |
| 39 | 9B-6 | Scheibe | washer | 1 |
| 40 | 9SG-6/12 | Schraube | screw | 1 |
| 41 | 9S-8/35 | Schraube | screw | 1 |
| 42 | 9B-8 | Scheibe | washer | 4 |
| 43 | 9MS-8 | Mutter | nut | 1 |
| 44 | 00SGK130-0013 | Kettenabdeckung | chain guard | 1 |
| 45 | 9S-6/12 | Schraube | screw | 3 |
| 46 | 9B-6/18/1.6 | Scheibe | washer | 2 |
| 47a | 10Ü-1011 | Kehrwalze (SGK130) | broom (SGK130) | 2 |
| 47b | 10Ü-1013 | Schneekehrwalze (SGK130) | snow-broom (SGK130) | 1 |
| 47c | 10Ü-1012 | Kehrwalze (SGK150) | broom (SGK150) | 2 |
| 47d | 10Ü-1014 | Schneekehrwalze (SGK150) | snow-broom (SGK150) | 1 |
| 48 | 4Z-0002 | Zylinder | cylinder | 1 |
| 49 | 10O-0003 | Spindel | spindle | 1 |
| 50 | 00SGK130-0023 | Bolzen | pin | 1 |
| 51 | 00SGK130-0024 | Bolzen | pin | 1 |
| 52 | 9B-10 | Scheibe | washer | 1 |
| 53 | 9MS-10 | Mutter | nut | 1 |
| 54 | 9MS-16 | Mutter | nut | 1 |
| 55 | 9B-16 | Scheibe | washer | 1 |
| 56 | 9RSC-15715 | Schlauchschelle | hose clamp | 2 |
| 57 | 9S-6/20 | Schraube | screw | 1 |

Antrieb



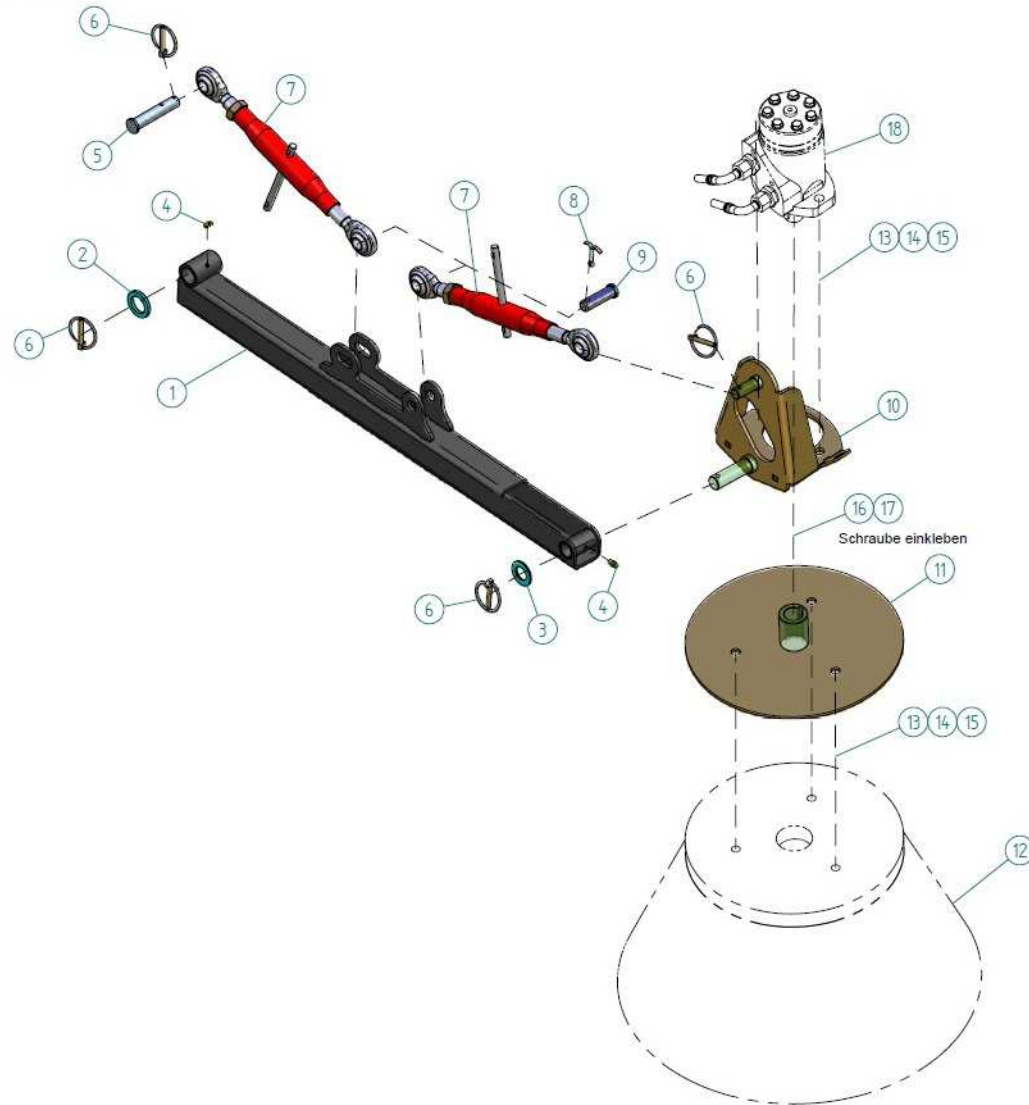
| Pos.Nr.: | Artikelnr.: | Bezeichnung: | Name: | EC |
|----------|----------------|------------------------------|--------------------------------|----|
| 1 | 6G-0013 | Getriebe | gearbox | 1 |
| 2 | 6GS-0001 | Schutztopf | protection | 1 |
| 3 | 00SGK130-0006 | Platte | plate | 1 |
| 4 | 9S-10/150S | Schraube | Screw | 4 |
| 5 | 9MS-10 | Mutter | nut | 4 |
| 6 | 9B-10 | Scheibe | washer | 4 |
| 7 | 9B-10/30/2.5 | Scheibe | washer | 4 |
| 8 | 8P-0015-005 | Abdeckung | protection | 1 |
| 9 | 9S-6/20 | Schraube | Screw | 6 |
| 10 | 9B-6 | Scheibe | washer | 6 |
| 11 | 9MS-6 | Mutter | nut | 4 |
| 12a | 00SGK130-0007 | Antriebswelle SGK-130 | shaft drive SGK-130 | 1 |
| 12b | 00SGK150-0007 | Antriebswelle SGK-150 | shaft drive SGK-150 | 1 |
| 13 | 00SGK130-0009 | Aufnahme Schutzrohr | holder shaft protction | 1 |
| 14a | 00SGK130-0008 | Schutzrohr SGK-130 | shaft protction SGK-130 | 1 |
| 14b | 00SGK150-0008 | Schutzrohr SGK-150 | shaft protction SGK-150 | 1 |
| 15 | 9SRW-30/1.5 | Sicherungsring | circlip | 1 |
| 16a | 00SGK130-0010 | Kettenrad 2000upm | Sprocket 2000upm | 1 |
| 16b | 00SGK130-0011 | Kettenrad 1000upm | Sprocket 1000upm | |
| 17 | 9S-10/30 | Schraube | Screw | 2 |
| 18 | 9MS-10 | Mutter | nut | 2 |
| 19 | 9B-10 | Scheibe | washer | 2 |
| 20 | 9S-8/20 | Schraube | Screw | 1 |
| 21 | 9B-8/40/2 | Scheibe | washer | 1 |
| 22 | 9PF-8/7/20 | Passfeder | feather key | 1 |
| 23 | 9PF-8/7/25 | Passfeder | feather key | 1 |
| 24 | 6K-SG58/1 | Steckglied | chain connection | 1 |
| 25 | 6K-KG58/1 | Kröpfunglied | 1/2 chain | 1 |
| 26 | 6K-58/1 | Kette | chain | |
| 27 | 6L-206-NPP-B | Lager | bearing | 1 |
| 28 | 6LGS-FLANMST62 | Lagerschale | housing bearing | 2 |

Schmutzsammelbehälter (Sonderausstattung)



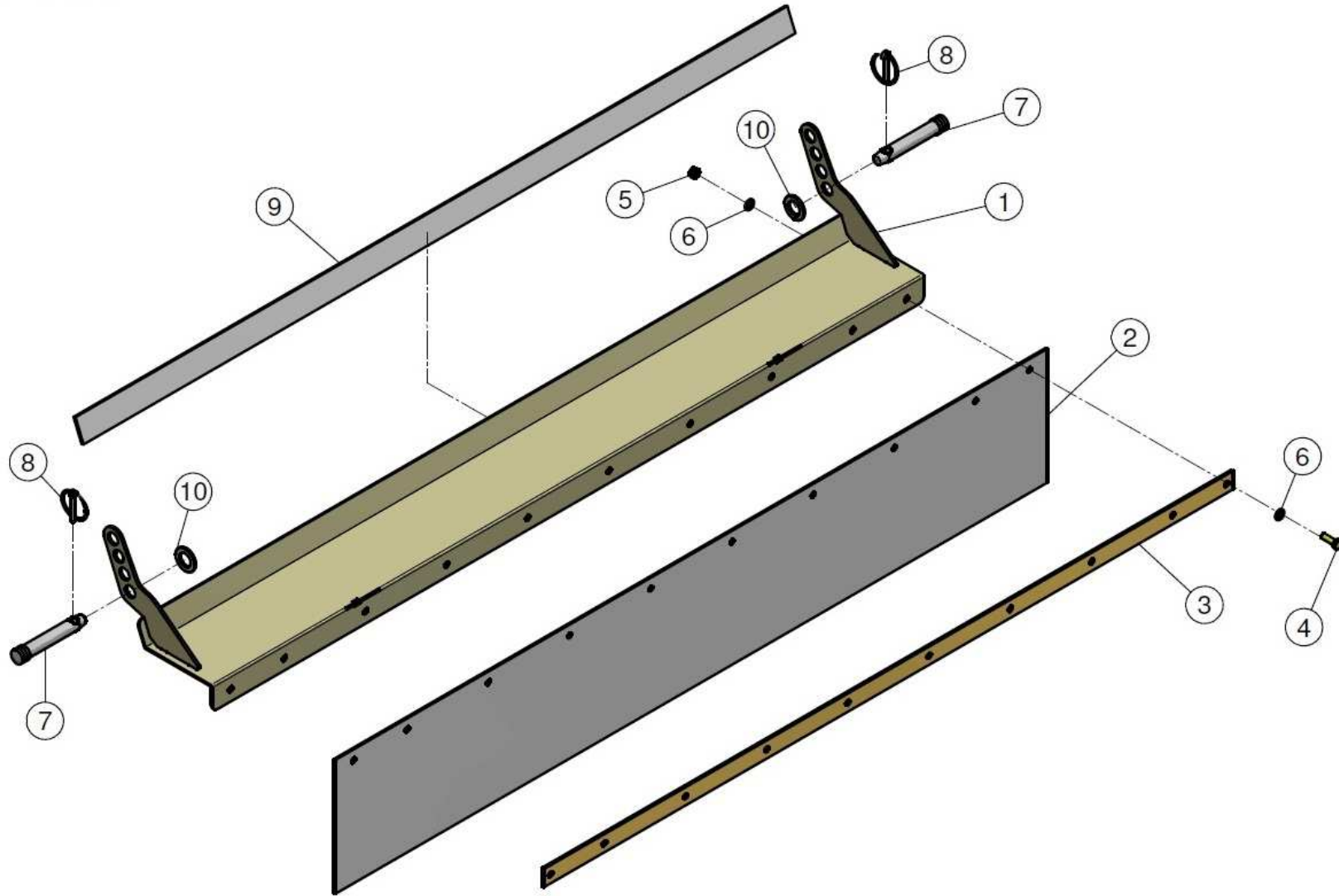
| Pos.Nr.: | Artikelnr.: | Bezeichnung: | Name: | EC |
|----------|---------------|---------------------------|---------------------------|---------|
| 1a | 00SGK130-0018 | Behälter SGK130 | Container SGK130 | 1 |
| 1b | 00SGK150-0018 | Behälter SGK150 | Container SGK150 | 1 |
| 2a | 00SGK130-0021 | Gummi SGK130 | Rubber SGK130 | 1 |
| 2b | 00SGK150-0021 | Gummi SGK150 | Rubber SGK150 | 1 |
| 3a | 00SGK130-0019 | Klemmleiste SGK130 | sheet metal SGK130 | 1 |
| 3b | 00SGK150-0019 | Klemmleiste SGK150 | sheet metal SGK150 | 1 |
| 4 | 10M-0202 | Bolzen | Pin | 2 |
| 5 | 9KS-6 | Klappstecker | linch pin | 2 |
| 6 | 9KS-6 | Klappstecker | linch pin | 2 |
| 7 | 10M-0211 | Bolzen | pin | 2 |
| 8 | 9S-8/25 | Schraube | screw | 10 |
| 9 | 9B-8 | Scheibe | washer | 10 |
| 10 | 9MS-8 | Mutter | nut | 10 |
| 11 | 3P-0002 | Dichtband | protection | 1,4/1,6 |
| 12 | 4Z-0002 | Hydraulikzylinder | hydraulic cylinder | 1 |
| 13 | 9B-20 | Scheibe | washer | 2 |
| 14 | 00SGK130-0005 | Buchse | bush | 2 |

Seitenbesen (Sonderausstattung)



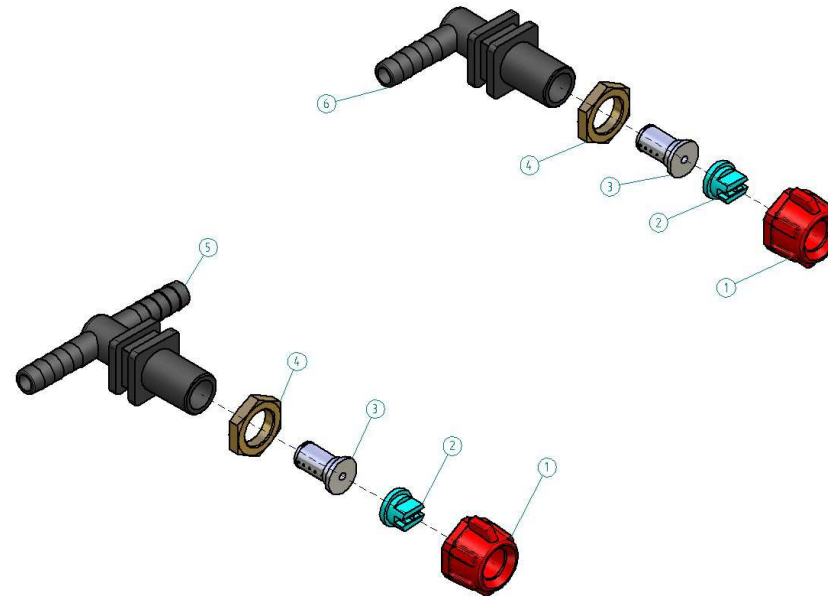
| Pos.Nr.: | Artikelnr.: | Bezeichnung: | Name: | EC |
|----------|---------------|--------------------------|--------------------|----|
| 1 | 00SK130-0010 | Seitenbesenarm | broom arm | 1 |
| 2 | 9B-26/40/5 | Scheibe | washer | 1 |
| 3 | 9B-20 | Scheibe | washer | 1 |
| 4 | 10SN-0001 | Schmiernippel | lubricator nipple | 2 |
| 5 | 00SGK130-0025 | Bolzen | pin | 1 |
| 6 | 9KS-4.5 | Klappstecker | linch pin | 6 |
| 7 | 10O-0001 | Oberlenker | upper link | 2 |
| 8 | 9SP-4/32 | Splint | spline | 0 |
| 9 | 00SK130-0022 | Bolzen | pin | 2 |
| 10 | 00SK130-0009 | Motorträger | motor console | 1 |
| 11 | 00SK130-0011 | Seitenbesenteller | broom plate | 1 |
| 12a | 10Ü-0004 | Seitenbesen Poly | broom poly | 1 |
| 12b | 10Ü-0005 | Seitenbesen Poly / Stahl | broom poly / steel | |
| 13 | 9S-12/40 | Schraube | screw | 5 |
| 14 | 9MS-12 | Mutter | nut | 5 |
| 15 | 9B-12 | Scheibe | washer | 7 |
| 16 | 9S-10/30 | Schraube | screw | 1 |
| 17 | 9B-10/30/2.5 | Scheibe | washer | 1 |
| 18 | 4M-EP160 | Hydraulikmotor | motor | 1 |

Schmutzfangtuch (Sonderausstattung)



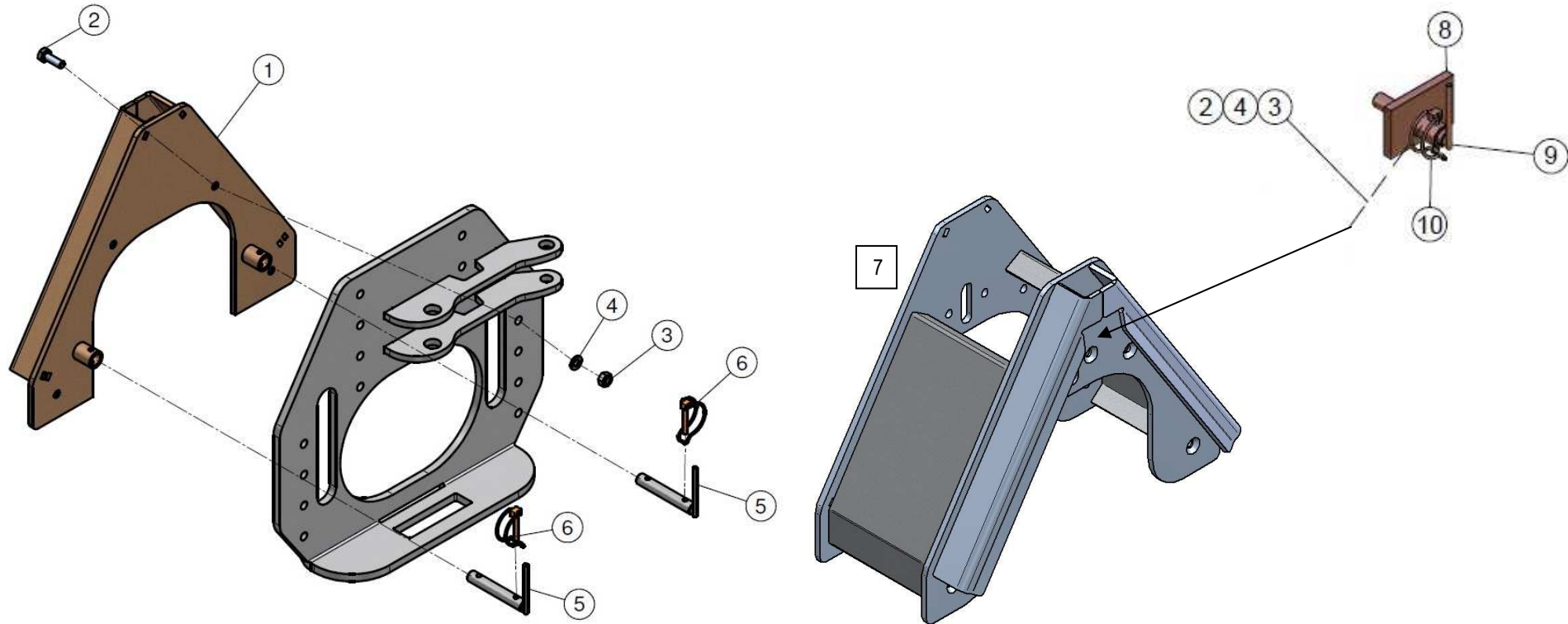
| Pos.Nr.: | Artikelnr.: | Bezeichnung: | Name: | EC |
|----------|---------------|----------------------------|----------------------------|---------|
| 1a | 00SGK130-0020 | Halter SGK-130 | Holder SGK-130 | 1 |
| 1b | 00SGK150-0020 | Halter SGK-150 | Holder SGK-150 | 1 |
| 2a | 00SGK130-0022 | Gummi SGK-130 | Rubber SGK-130 | 1 |
| 2b | 00SGK150-0022 | Gummi SGK-150 | Rubber SGK-150 | 1 |
| 3a | 00SGK130-0019 | Klemmleiste SGK-130 | sheet metal SGK-130 | 1 |
| 3b | 00SGK150-0019 | Klemmleiste SGK-150 | sheet metal SGK-150 | 1 |
| 4 | 9S-8/25 | Schraube | screw | 10 |
| 5 | 9MS-8 | Mutter | nut | 10 |
| 6 | 9B-8 | Scheibe | washer | 20 |
| 7 | 10M-0202 | Bolzne | pin | 2 |
| 8 | 9KS-6 | Klappstecker | linch pin | 2 |
| 9 | 3P-0002 | Dichtband | protection | 1,4/1,6 |
| 10 | 9B-20 | Scheibe | washer | 2 |

Wasserausrüstung (Sonderausstattung)



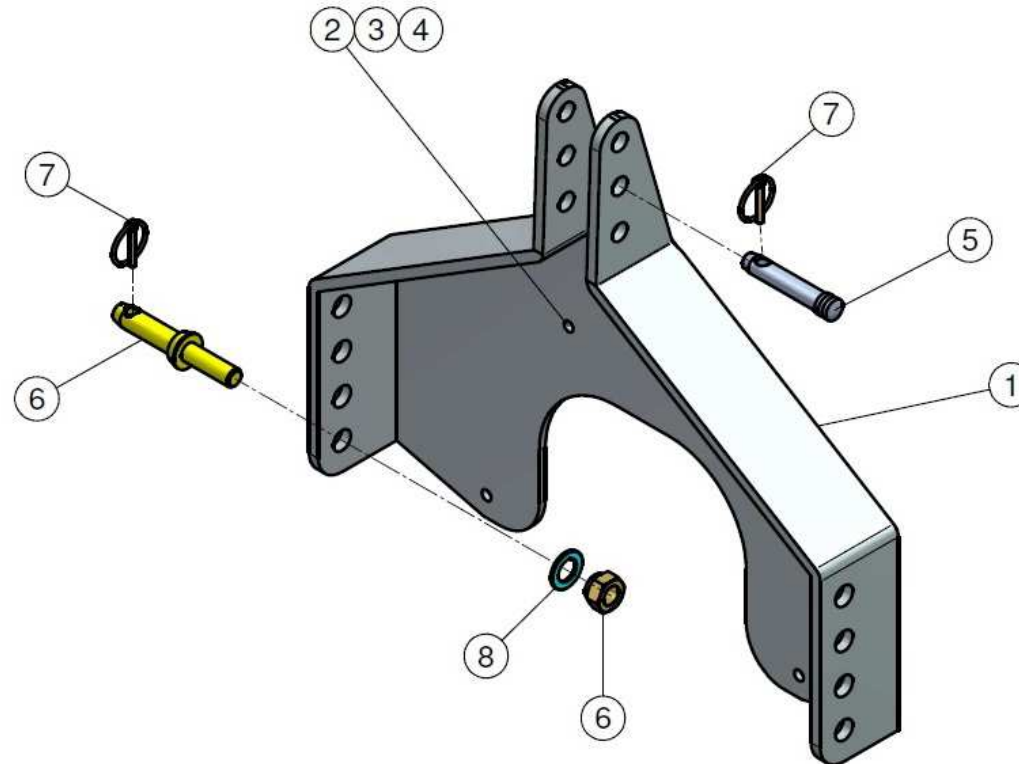
| Pos.Nr.: | Artikelnr.: | Bezeichnung: | Name: | |
|----------|---------------|-----------------------------------------|-----------------------------|---|
| 1 | 8D-0005 | Mutter | Nut | 2 |
| 2 | 8D-0003 | Düse | nozzle | 2 |
| 3 | 8D-0004 | Filter | filter | 2 |
| 4 | 9M-3/8 | Mutter | Nut | 2 |
| 5 | 8D-0002 | Anschluss doppelt | Fitting single | 1 |
| 6 | 8D-0001 | Anschluss einfach | Fitting double | 1 |
| 7 | 3S-10/16 | Schlauch (Länge bei Bestellung angeben) | Hose (note length by order) | |
| 8 | 9SSC-N14/17/7 | Schlauchschelle | Hose band clip | 5 |
| 9 | 5K-7M9 | Schlauch-Kupplung (Muffe) | Hose connector (socket) | 1 |
| 10 | 5K-7S9 | Schlauch-Kupplung (Stecker) | Hose connector (plug) | 1 |

Adapterdreieck Kat.0



| Pos.Nr.: | Artikelnr.: | Bezeichnung: | Name: | EC |
|----------|-------------------|-----------------------------------------|----------------|----|
| 1 | 00SGK130-A3E-0001 | Adaper | plate | 1 |
| 2 | 9SKI-10/35B | Schraube | screw | 4 |
| 3 | 9MS-10 | Mutter | nut | 4 |
| 4 | 9B-10 | Scheibe | washer | 4 |
| 5 | 00EPA3-0016 | Bolzen | pin | 2 |
| 6 | 9KSR-6 | Rohrklappstecker | tube lynch pin | 2 |
| 7 | 00SGK130-A3E-0002 | Adapterverlängerung (Sonderausstattung) | adaption | 1 |
| 8 | 00EPA3-0015 | Platte | plate | 1 |
| 9 | 00EPA3-0016 | Bolzen | pin | 1 |
| 10 | 9KSR-6 | Stecker | lynch pin | 1 |

Dreipunktadapter Kat.1



| Pos.Nr.: | Artikelnr.: | Bezeichnung: | Name: | EC |
|----------|-------------------|--------------|-----------|----|
| 1 | 00SGK130-A3P-0001 | Adapter | plate | 1 |
| 2 | 9SKI-10/35B | Schraube | screw | 4 |
| 3 | 9B-10 | Scheibe | washer | 4 |
| 4 | 9MS-10 | Mutter | nut | 4 |
| 5 | 10M-0201 | Bolzen | pin | 1 |
| 6 | 10M-0220 | Bolzen | pin | 2 |
| 7 | 9KS-8 | Klappstecker | linch pin | 3 |
| 8 | 9B-20 | Scheibe | washer | 2 |

Fragen richten Sie an Ihren Fachhändler oder direkt an uns. Wir sind erreichbar unter:



**Eco Technologies Planungs-
Entwicklungs- und HandelsgesmbH**
A-8403 Lebring, Philipsstraße 46
Tel. +43/3182/4420-0, Fax +43/3182/4420-17
e-mail: ecotech@ecotech.at, <http://www.ecotech.at>

Managementsystem
zertifiziert nach

